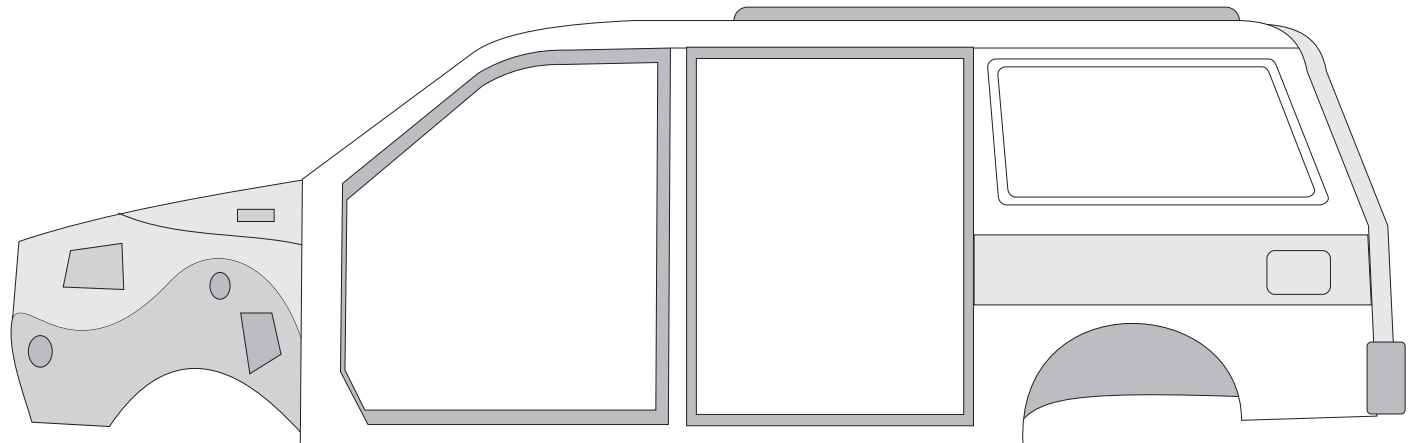
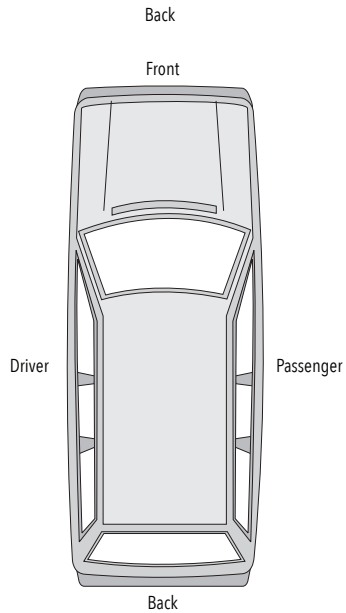
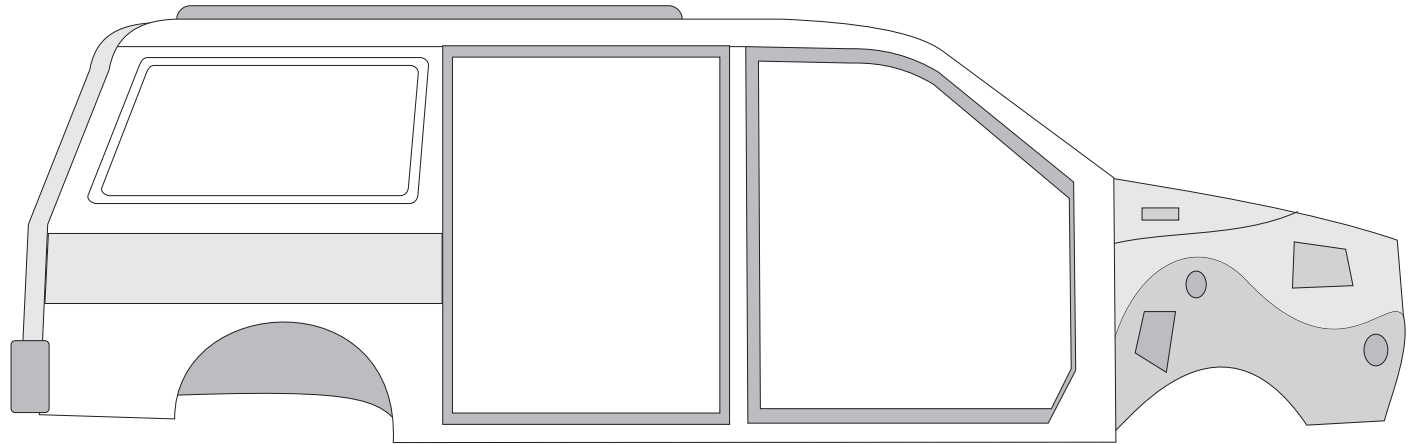
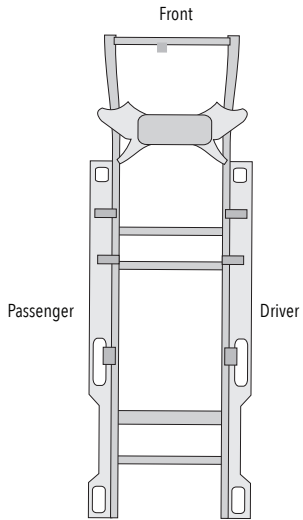




AUTO SALVAGE

Special instructions/Additional information

Any special landmarks (striker, latch, seam, hinge, etc):



RECYCLED PARTS REQUEST FORM: MINIVAN

DATE: _____ VEHICLE TYPE: _____ SHOP NAME: _____

Return Fax: (651) 423-2808