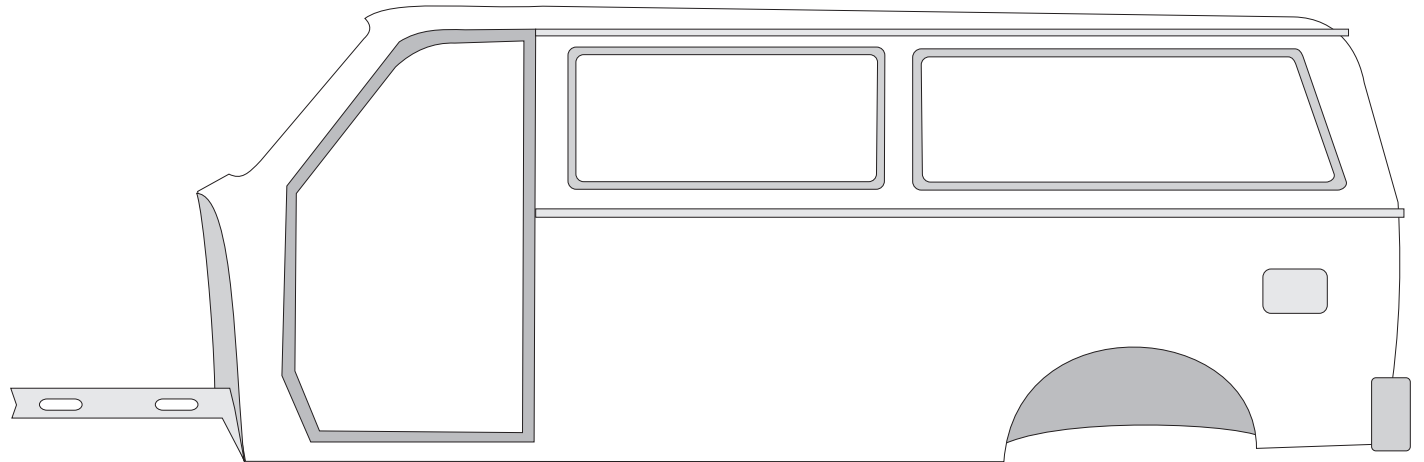
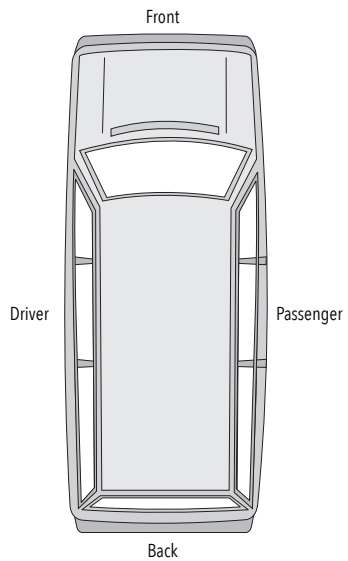
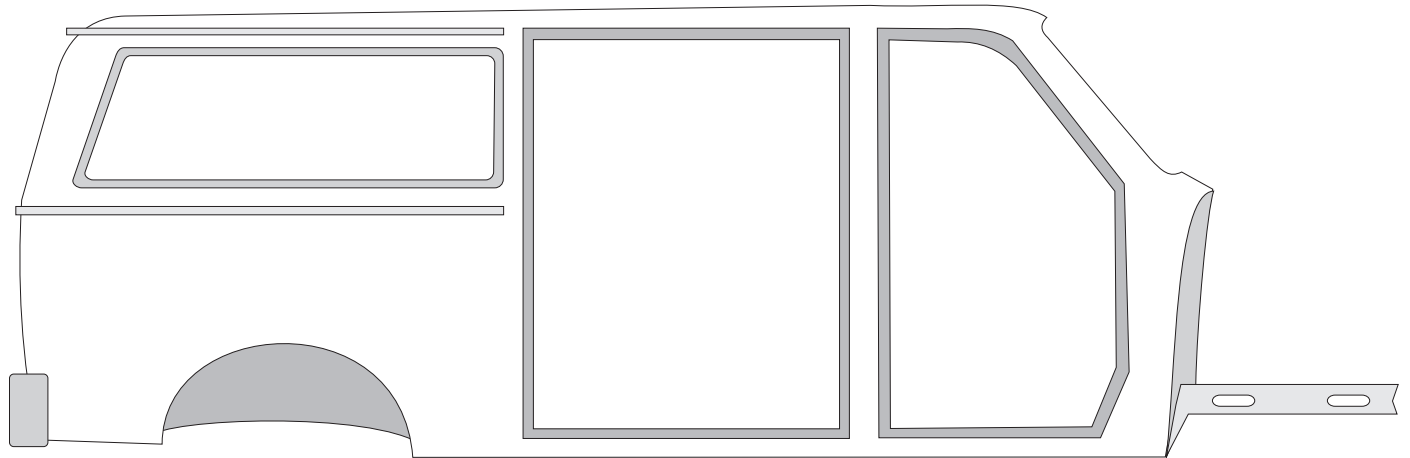
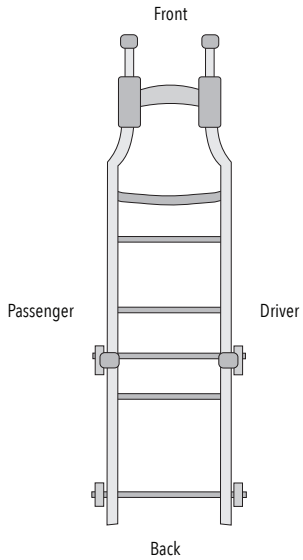




**AUTO SALVAGE**

Special instructions/Additional information

Any special landmarks (striker, latch, seam, hinge, etc):



**RECYCLED PARTS REQUEST FORM: VAN**

DATE: \_\_\_\_\_ VEHICLE TYPE: \_\_\_\_\_ SHOP NAME: \_\_\_\_\_

Return Fax: (651) 423-2808